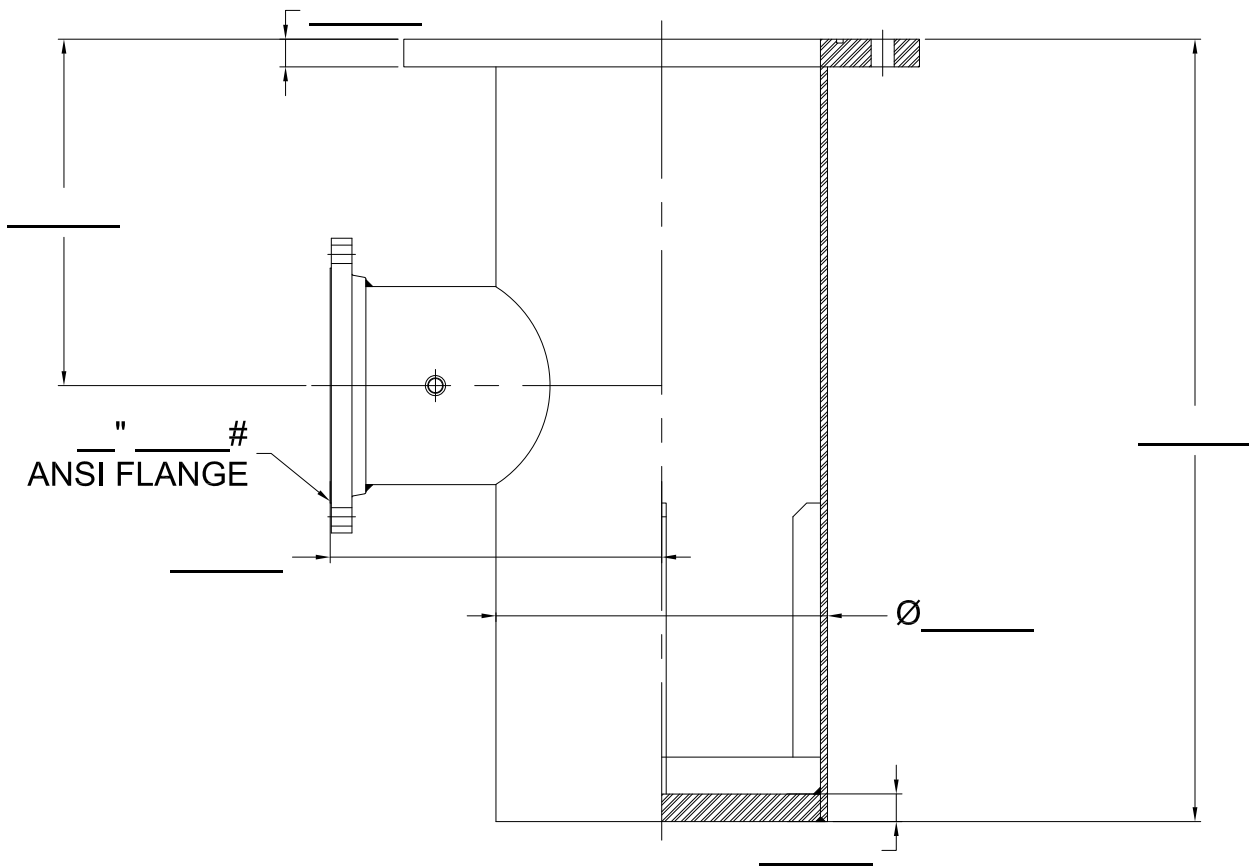
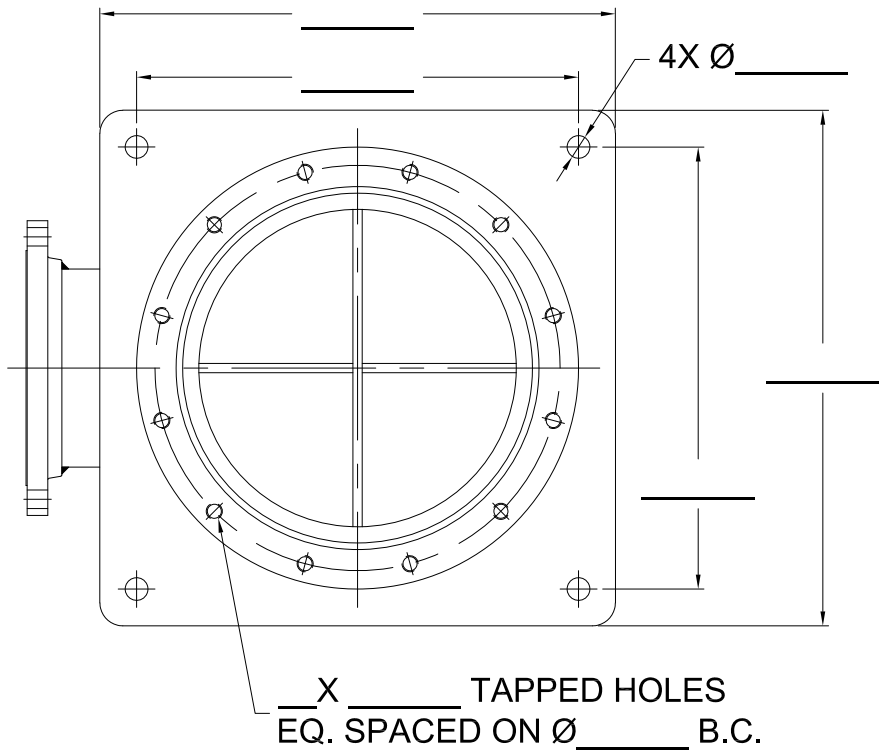


NOTES:

APPROVED BY: \_\_\_\_\_  
 DATE:     /     /



**NOTICE**

THIS DRAWING IS THE CONFIDENTIAL PROPERTY OF NASHVILLE PUMP & POND, LLC, AND IS FURNISHED FOR YOUR INFORMATION ONLY, MUST NOT BE MADE PUBLIC OR COPIED, AND MUST BE RETURNED UPON DEMAND. MANUFACTURE OF PARTS PER THIS DRAWING IS EXPRESSLY FORBIDDEN EXCEPT BY THE WRITTEN AUTHORIZATION FROM NASHVILLE PUMP & POND LLC. ALL RIGHTS OF DESIGN AND INVENTION ARE RESERVED AND PATENTS PENDING.


REV	DATE	REVISION	CH
-	-	-	-

QTY: \_\_\_\_\_

NOTES:

TOLERANCES UNLESS OTHERWISE NOTED

X.XXX ±0.005  
 X.XX ±0.010  
 X.X ±0.1  
 DEG ±0.5



NASHVILLE PUMP & POND, LLC  
 NASHVILLE, TN  
 PHONE: 615.835.3145  
 INFO@NASHVILLEPOND.COM  
 WWW.NASHVILLEPOND.COM

CUSTOMER: \_\_\_\_\_  
 JOB REF: \_\_\_\_\_  
 PUMP CONFIGURATION: \_\_\_\_\_

QUOTE NO.: \_\_\_\_\_

CUSTOMER P.O.: \_\_\_\_\_

DR BY: \_\_\_\_\_ DATE: \_\_\_\_\_

CK BY: - DATE: \_\_\_\_\_

PUMP CAN

FORM NO.: NPPPC001	SHT. 1 of 1	REV 0
-----------------------	----------------	----------