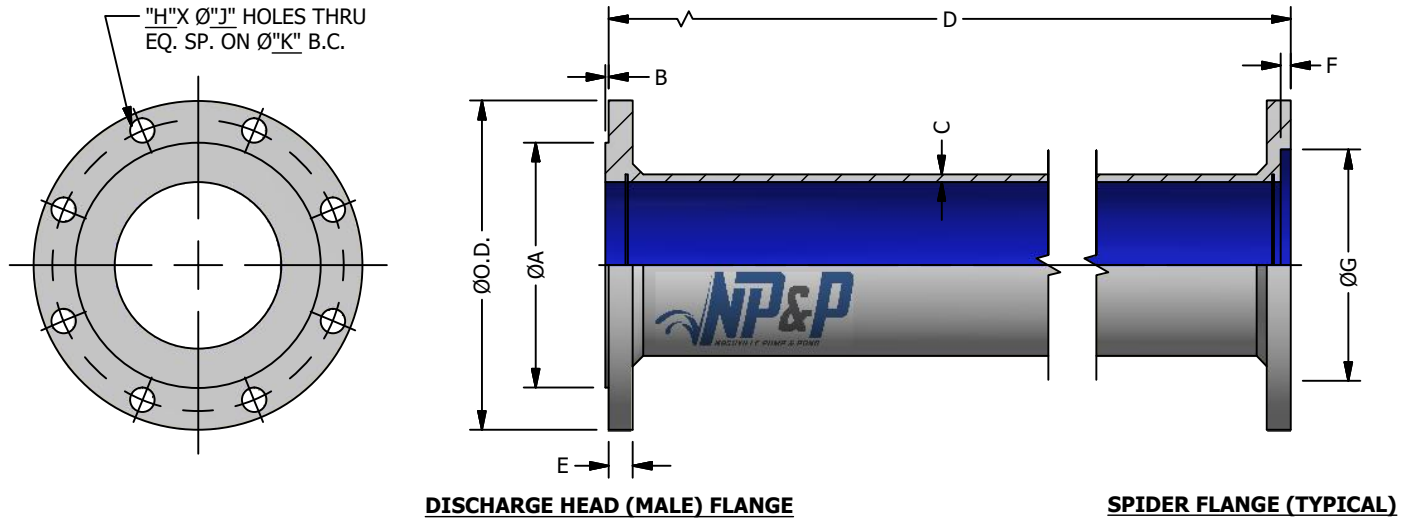


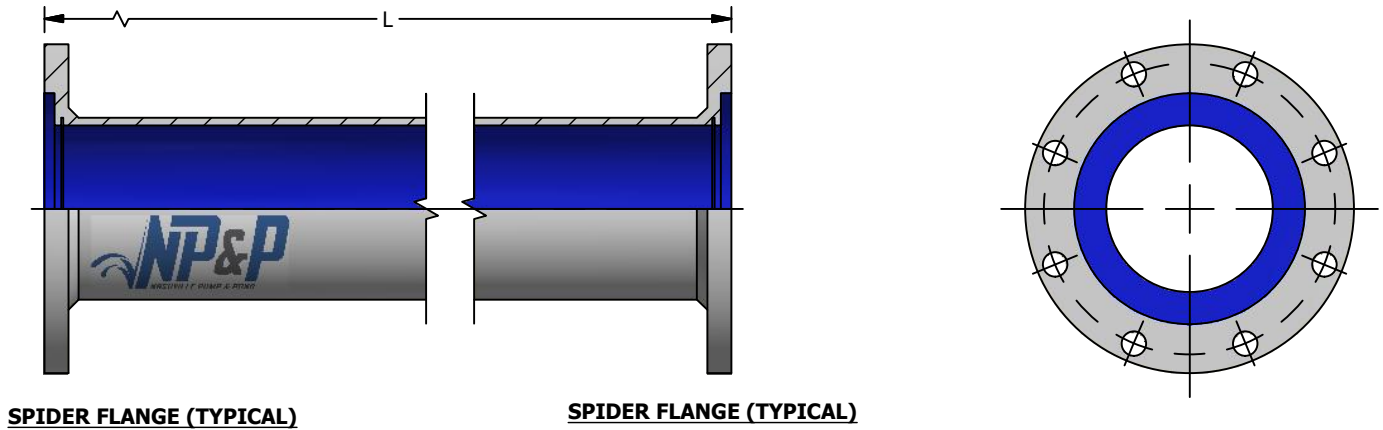
TOP (DISCHARGE HEAD) COLUMN PIECE (MALE X FEMALE FLANGE)



DISCHARGE HEAD (MALE) FLANGE

SPIDER FLANGE (TYPICAL)

CENTER COLUMN (SPIDER X SPIDER)



SPIDER FLANGE (TYPICAL)

SPIDER FLANGE (TYPICAL)


DIMENSIONS

COLUMN SIZE	OD	A +0.000/-0.002	B	C	D	E	F +0.000/-0.003	G +0.002/-0.000	H	J	K	L	BOLT REQUIRED
3	6.50	3.750 in	.125	.216	A/R	.875	.246	3.309	4	.750	5.50	A/R	5/8" X 2.50
4	7.50	4.750 in	.125	.237	A/R	.875	.246	4.311	8	.750	6.25	A/R	5/8" X 2.50
5	10.00	6.940 in	.125	.258	A/R	.875	.371	5.372	8	.875	8.62	A/R	3/4" X 3.00
6	10.00	6.940 in	.125	.280	A/R	.875	.371	6.432	8	.875	8.62	A/R	3/4" X 3.00
8	12.00	8.940 in	.125	.332	A/R	.875	.371	8.432	8	.875	10.62	A/R	3/4" X 3.00
10	14.63	11.120 in	.125	.365	A/R	1.000	.371	10.558	12	1.000	13.00	A/R	7/8" X 3.50
12	16.63	12.500 in	.125	.375	A/R	1.125	.371	12.534	12	1.000	15.00	A/R	7/8" X 3.50
14	18.50	14.370 in	.125	.375	A/R	1.125	.371	13.784	12	1.000	16.75	A/R	7/8" X 4.00
16	21.50	16.370 in	.125	.375	A/R	1.250	.371	15.784	12	1.125	18.75	A/R	1" X 4.00

NOTICE

THIS DRAWING IS THE CONFIDENTIAL PROPERTY OF NASHVILLE PUMP & POND, LLC, AND IS FURNISHED FOR YOUR INFORMATION ONLY AND MUST NOT BE MADE PUBLIC OR COPIED AND MUST BE RETURNED ON DEMAND. MANUFACTURE OF PARTS PER THIS DRAWING IS EXPRESSLY FORBIDDEN EXCEPT BY THE WRITTEN AUTHORIZATION FROM NASHVILLE PUMP & POND, LLC. ALL RIGHTS OF DESIGN AND INVENTION ARE RESERVED AND PATENTS PENDING.

REV	DATE	REVISION	CH



NASHVILLE PUMP & POND, LLC
NASHVILLE, TN
PHONE: 615.835.3145
INFO@NASHVILLEPOND.COM
WWW.NASHVILLEPOND.COM

DESCRIPTION:
NP&P WATER LUBE COLUMN PIPE DIMENSION OVERVIEW

MATERIAL: Stainless Steel		TOLERANCES UNLESS OTHERWISE NOTED X.XXX ±0.005 X.XX ±0.010 X.X ±0.1 DEG ±0.5		CUSTOMER NAME:		PART No.:	
REF ECN.:		CUSTOMER P O No.:		DRN BY: DATE: 1/25/2017		DWG. No. SHT. REV.	
REF CAST DRWN:		CKD BY:		COLUMN PIPE - WATER LUBE - TOP SECTION.ipt		1 of 1	