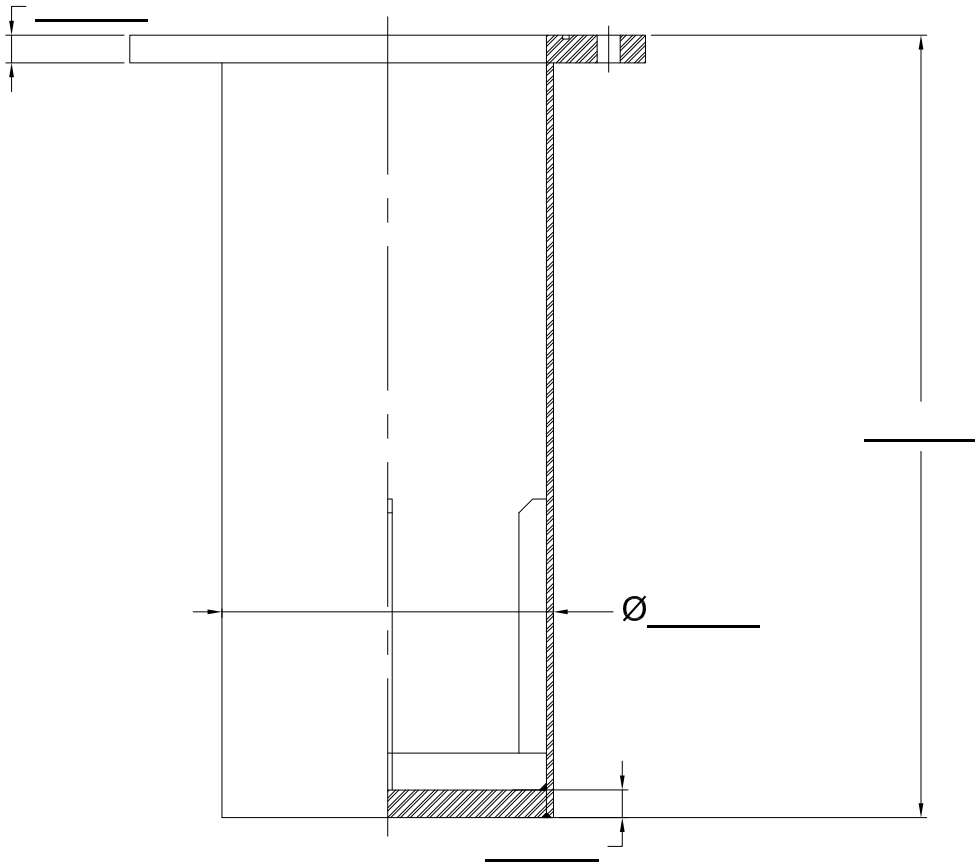
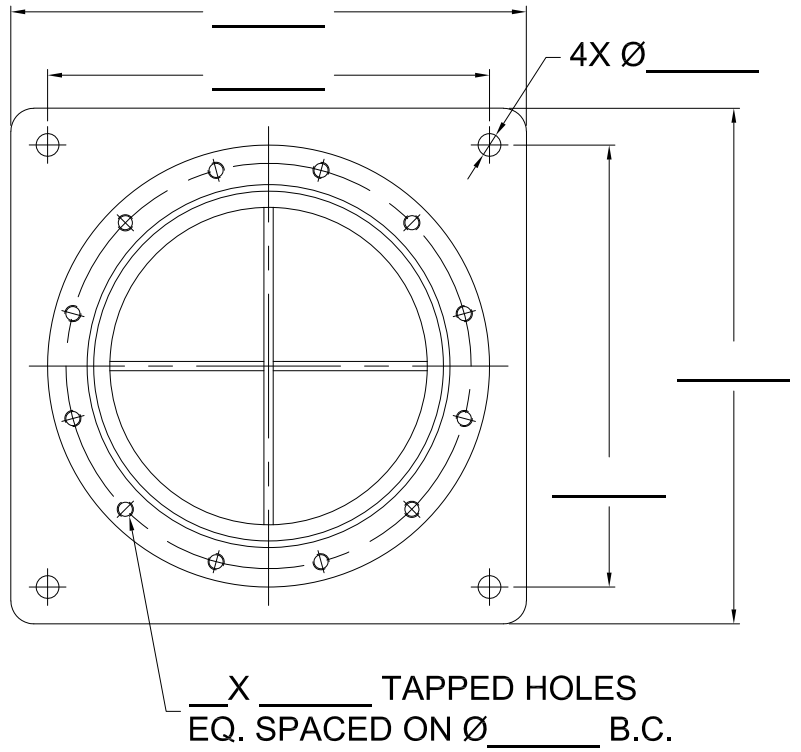


NOTES:

APPROVED BY:

DATE: / /



NOTICE

THIS DRAWING IS THE CONFIDENTIAL PROPERTY OF NASHVILLE PUMP & POND, LLC, AND IS FURNISHED FOR YOUR INFORMATION ONLY, MUST NOT BE MADE PUBLIC OR COPIED, AND MUST BE RETURNED UPON DEMAND. MANUFACTURE OF PARTS PER THIS DRAWING IS EXPRESSLY FORBIDDEN EXCEPT BY THE WRITTEN AUTHORIZATION FROM NASHVILLE PUMP & POND LLC. ALL RIGHTS OF DESIGN AND INVENTION ARE RESERVED AND PATENTS PENDING.

REV	DATE	REVISION	CH
-	-	-	-

QTY: _____

NOTES:

TOLERANCES UNLESS OTHERWISE NOTED

X.XXX	±0.005
X.XX	±0.010
X.X	±0.1
DEG	±0.5



NASHVILLE PUMP & POND, LLC
NASHVILLE, TN
PHONE: 615.835.3145
INFO@NASHVILLEPOND.COM
WWW.NASHVILLEPOND.COM

CUSTOMER:
JOB REF:
PUMP CONFIGURATION:

QUOTE NO.: _____
CUSTOMER P.O.: _____
DR BY: _____ DATE: _____
CK BY: - DATE: _____

BOOSTER CAN		
FORM NO.: NPPBC001	SHT. 1 of 1	REV 0