

VERTICAL TURBINE PUMPS AND FLOATING PLATFORMS



Pipe line float carrying 18" pipe from pump



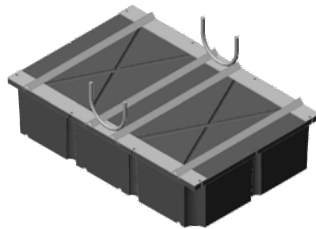
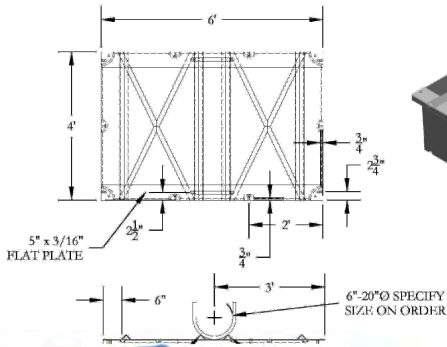
Large vertical pump with walkway.



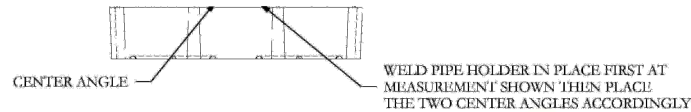
3 pumps on 3 floating platforms attached together.



PIPE LINE FLOAT



Nashville Pump & Power pipe line float can be made to accommodate most size pipes. It is a simple, effective way to support a pipe from your pump to land. The frame is hot dipped galvanized after fabrication, frame bolts directly to a float.



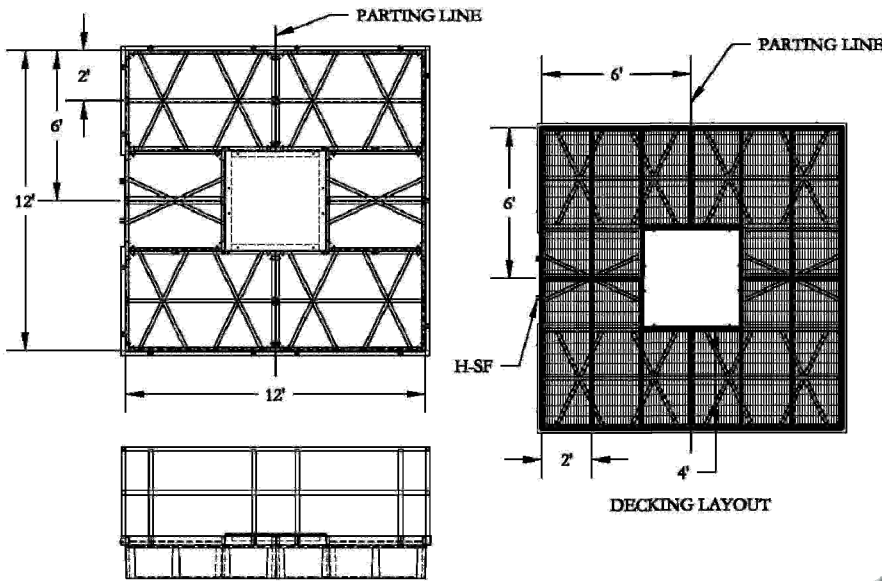
FLOATING WALKWAYS

Nashville Pump & Power floating walkways are available in many different lengths and come complete with handrail and our press lock decking (page 32). The standard width that works best with our pump docks is 4'. The section shown below is a 4' x 40' section. Sections can pin or bolt together in 10' increments to allow for easy assembly on site.

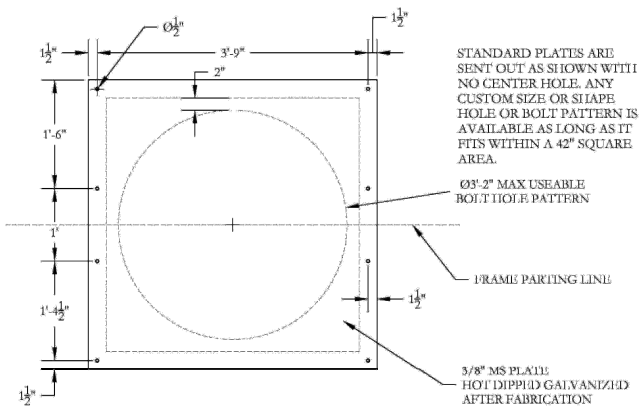
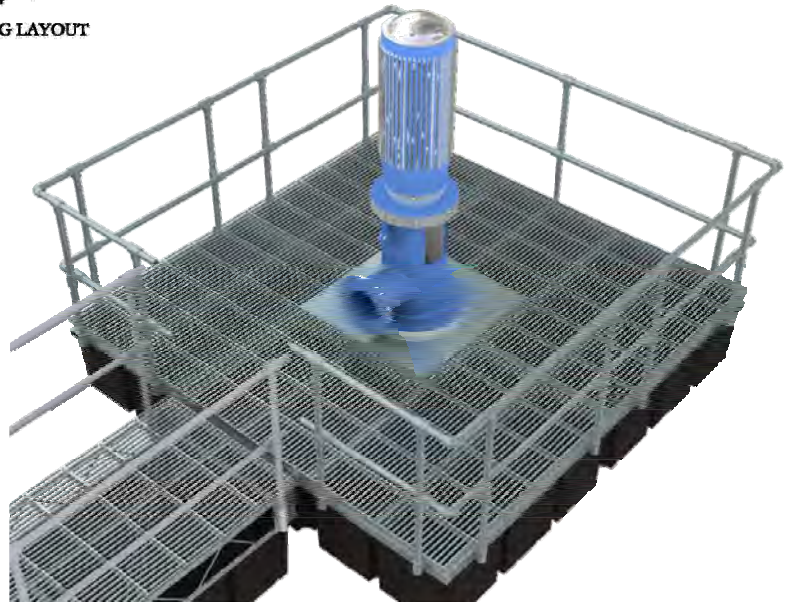


VERTICAL TURBINE PUMPS AND FLOATING PLATFORMS

Nashville Pump & Power 12' x 12' and 16' x 16' vertical pump docks can support 200-500 HP pumps for agriculture, water and waste water applications. The 2 sections of this rugged steel platform can be easily bolted together on site. Comes complete with floats, Galvanized Press



Lock Decking and plate for pump. Entire unit is hot dipped galvanized for long service. The base unit has 9950# of flotation. Walkways and other accessories are also available. Ships preassembled. The frame is made from 4" x 7.25 channel and hot dipped galvanized after fabrication. The handrail is 2" galvanized pipe fit together with Hollaender aluminum/ magnesium fittings. The center 3/8" x 4' x 4' plate is bolted to the frame. The plate is galvanized but has no hole so the customer can cut the correct hole for the pumps being used or send us your hole pattern drawing and we will cut holes to your specs at no additional charge. Call for complete details and pricing.



Our press lock decking comes standard (already included) on our vertical pump floating platform but can be purchased individually as shown below. These are industrial strength galvanized steel panels, great for high traffic or commercial needs. These are ideal for walkways and ramps. Allows for 65% sunlight penetration.

Ramps to dock, extensions of ramps and other size platforms can be constructed. Call one of our knowledgeable sales representatives to get more information.

100 PSF LOADING

