

# ABB irrigation drives

ACS550 stocked 3R irrigation drives, 15 to 200 hp



Easy to use drives that provide reliable pump control are vital to the health of your crops and your bottom line. ABB drives help you protect your investment by safeguarding your system and enabling it to run efficiently to provide the value and dependability you demand. What you choose matters.



Power and productivity  
for a better world™



# ABB irrigation drives

## Features and highlights

### Protecting your crops

Whether you are saving energy or converting power for your well or booster pump, your system requires optimized control. In the event of a pump system failure, minimizing downtime is imperative. ABB manufactures drives in the U.S. for efficient delivery and provides 24/7 technical support – because your investment is our priority, too.

### Inherent cost savings

Keeping costs under control is important to any industry. Diesel generators are only 40% efficient and require continual refueling, which becomes a very expensive solution. When you leverage Variable Frequency Drives (VFDs), you inherently save energy by applying electronic variable speed control to your pumps and pumping systems. For example, on centrifugal pump applications, the power requirement of the pump varies by the cube of the speed. This means when you reduce the pump flow by 20% using a Variable Frequency Drive (VFD), rather than a bypass or valve flow control, you will typically cut energy costs in half.

### Enclosures rated for outdoor use

We understand how important it is for you to have water where and when you need it. You need equipment that can stand up to the elements. ABB's outdoor NEMA/UL Type 3R rated enclosure eliminates the need for solar shielding, includes a thermostatically controlled heater to protect against condensation, and a surge suppressor to safeguard against transient lightning strikes.

When the drive is commissioned by an ABB Certified Start Up technician, you also benefit from an extend drive warranty.

### Product highlights

- Product stocked at regional offices for quick delivery
- Available from 15 to 200 hp
- Single phase 240 VAC, 15 to 50 hp
- Three phase 240 VAC, 25 to 100 hp
- Three phase 480 VAC, 40 to 200 hp
- Outdoor rated, NEMA 3R / UL certified enclosure
  - Outdoor protection against falling rain, sleet, snow, and external ice formation
- Padlockable enclosure on the main door and control door
- 100 kAIC SCCR rated
- Ambient temperature (-10 to 40 °C)
- Included in the ABB 3R package
  - ABB ACS550 base drive
  - Advanced drive keypad
  - 4 pole service entrance rated disconnect with fuses
  - Surge/lighting protection
  - Condensation heater
  - Hand/Off/Auto selector switch
  - Speed potentiometer
  - Pilot lights for drive ready, run and fault
  - Control power transformer with an extra 100 va for customer use
  - Embedded Modbus RTU (RS485) protocol (Additional communication protocols available)
- Quick installation and set-up
- Wall and pole mounting to fit your requirements. (Foot mounting kit coming soon.)

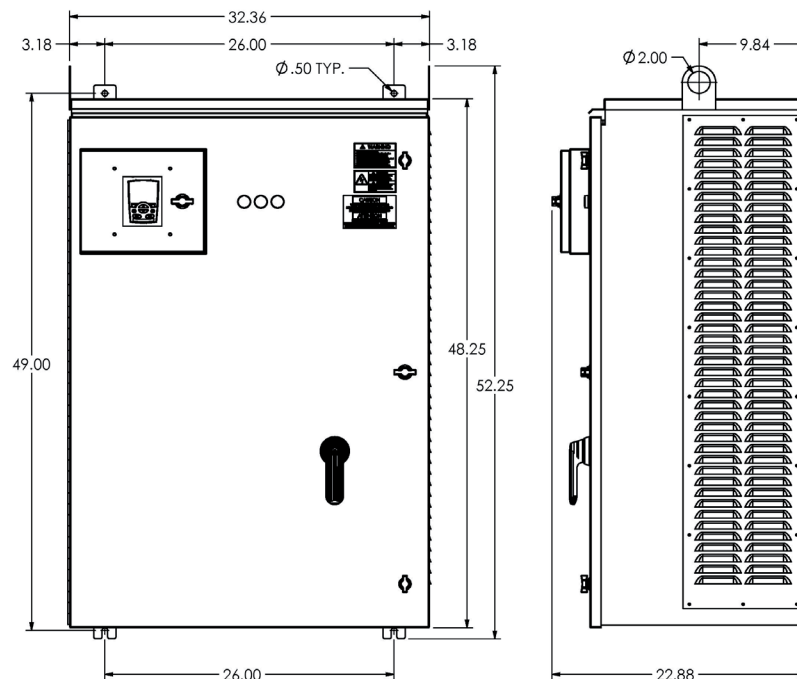


# ABB irrigation drives

## Technical data, dimensions and weights

Type code UL type 3R (NEMA 3R)	Normal duty (110% I <sub>2n</sub> )		Weight* lb	Height in	Width in	Depth in
	I <sub>2n</sub> A	P <sub>N</sub> HP				
<b>Single phase supply voltage 200, 208 or 230 V. The power ratings are valid at nominal voltage, 208 V</b>						
ACS550-PD-088A-2+C192	44	15	310	49.00	32.36	22.88
ACS550-PD-114A-2+C192	57	20	320			
ACS550-PD-143A-2+C192	75	25	330			
ACS550-PD-178A-2+C192	89	30	340			
ACS550-PD-221A-2+C192	110	40	345			
ACS550-PD-248A-2+C192	128	50	350			
<b>Three phase supply voltage 200, 208 or 230 V. The power ratings are valid at nominal voltage, 208 V</b>						
ACS550-PD-075A-2+C192	74.8	25	305	49.00	32.36	22.88
ACS550-PD-088A-2+C192	88	30	310			
ACS550-PD-114A-2+C192	114	40	320			
ACS550-PD-143A-2+C192	143	50	330			
ACS550-PD-178A-2+C192	178	60	340			
ACS550-PD-221A-2+C192	221	75	345			
ACS550-PD-248A-2+C192	248	100	350			
<b>Three phase supply voltage 460 or 480 V. The power ratings are valid at nominal voltage, 480 V</b>						
ACS550-PD-059A-4+C192	59	40	300	49.00	32.36	22.88
ACS550-PD-072A-4+C192	72	50	305			
ACS550-PD-078A-4+C192	77	60	310			
ACS550-PD-097A-4+C192	96	75	320			
ACS550-PD-125A-4+C192	124	100	330			
ACS550-PD-157A-4+C192	157	125	340			
ACS550-PD-180A-4+C192	180	150	345			
ACS550-PD-246A-4+C192	245	200	350			

\* Product Weight does not include shipping packaging add approx 170 lbs for shipping weight



# Contact Us

For more information please contact your local ABB representative or visit:

[www.pumpandpond.com](http://www.pumpandpond.com)  
[info@pumpandpond.com](mailto:info@pumpandpond.com)

[www.abb.com/drives](http://www.abb.com/drives)  
[www.abb.com/drivespartners](http://www.abb.com/drivespartners)

© Copyright 2014 ABB. All rights reserved  
Specifications subject to change without notice.

ACS550-PPPB03U-EN REVA Effective 04/18/2014.



Power and productivity  
for a better world™

